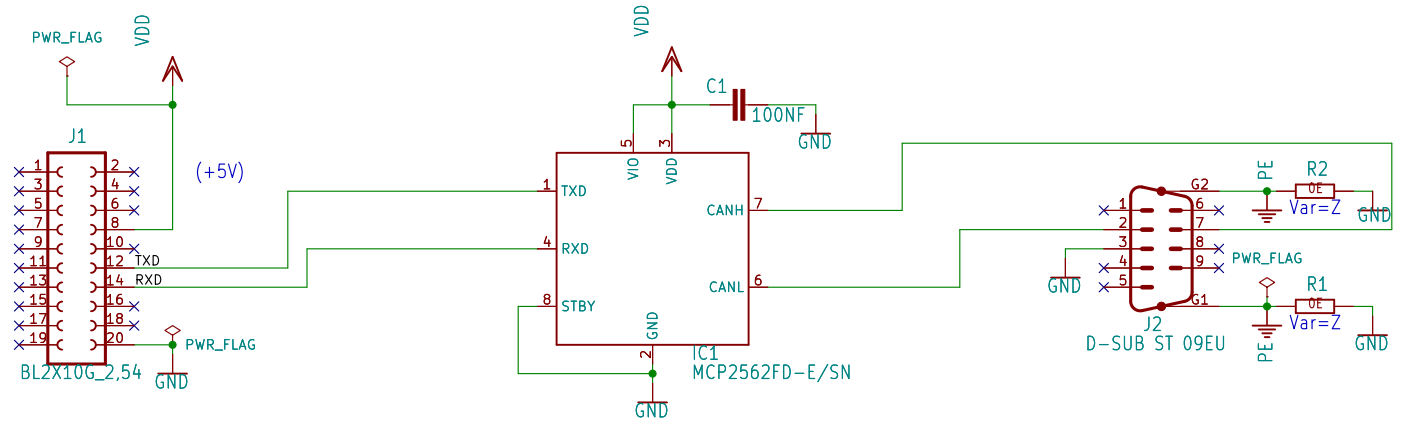



Implementation plane : 2F 017 0
 Print number : 3F 011 0
 VAR=Z => This component isn't equipped



Following page : - -

Project name :>DRAWING_NAME		Ind.	Date	Visa	
Document type : Schema		Author	Contr_	oled	
Related the project : for practical lab 5.33		Name: Andronico Fabio		Date: 10.10.2016	
Division : Microtechnique		Controlled: D. Debrunner		Date: 11.10.2016	
 Bern University of Applied Sciences Engineering and information technology Quellgasse 21/CH-2500 Biel-Bienne		Nr. : 1F 011 0		Page : 1 / 1	