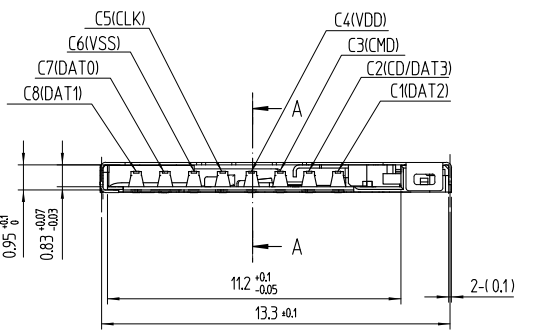
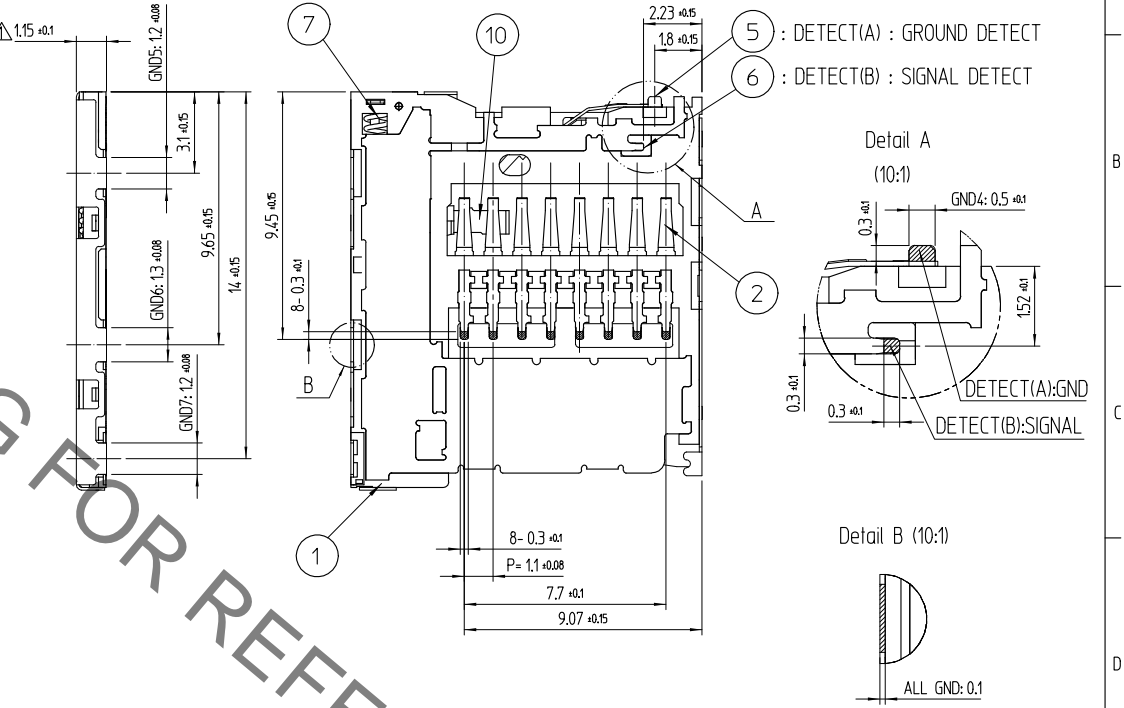
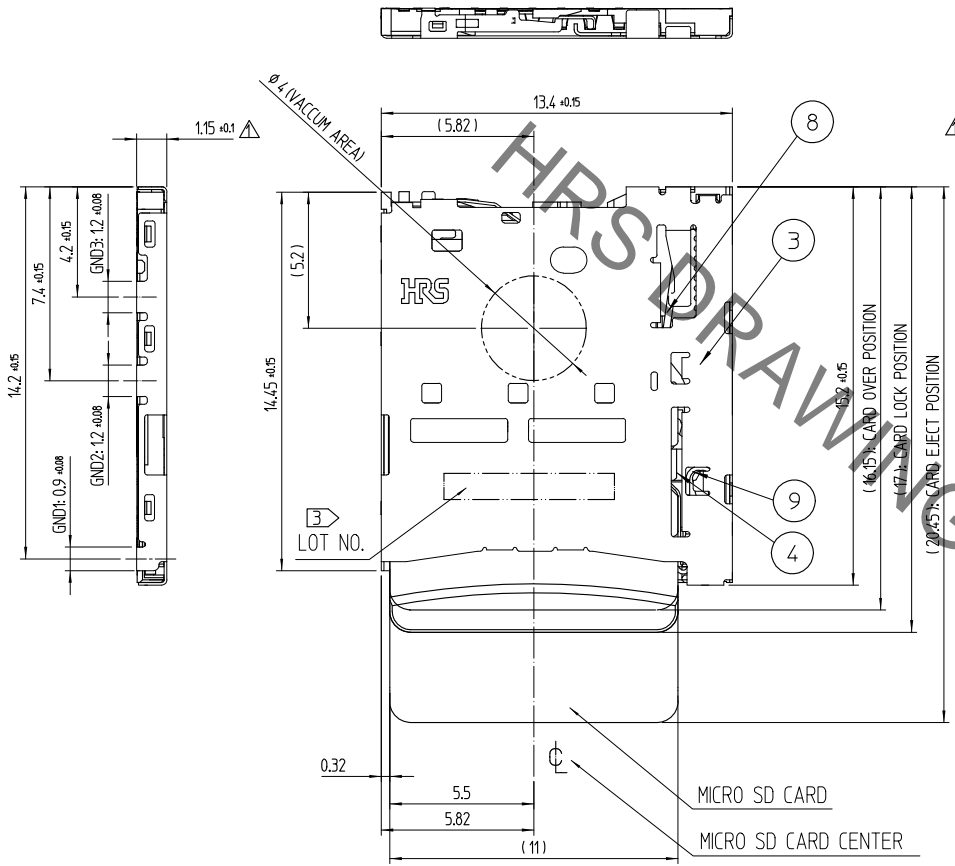


Jan. 1. 2022 Copyright 2022 HIROSE ELECTRIC CO., LTD. All Rights Reserved.
 use of consideration for using Automotive equipment / device which demand high reliability, kindly contact our sales window correspond

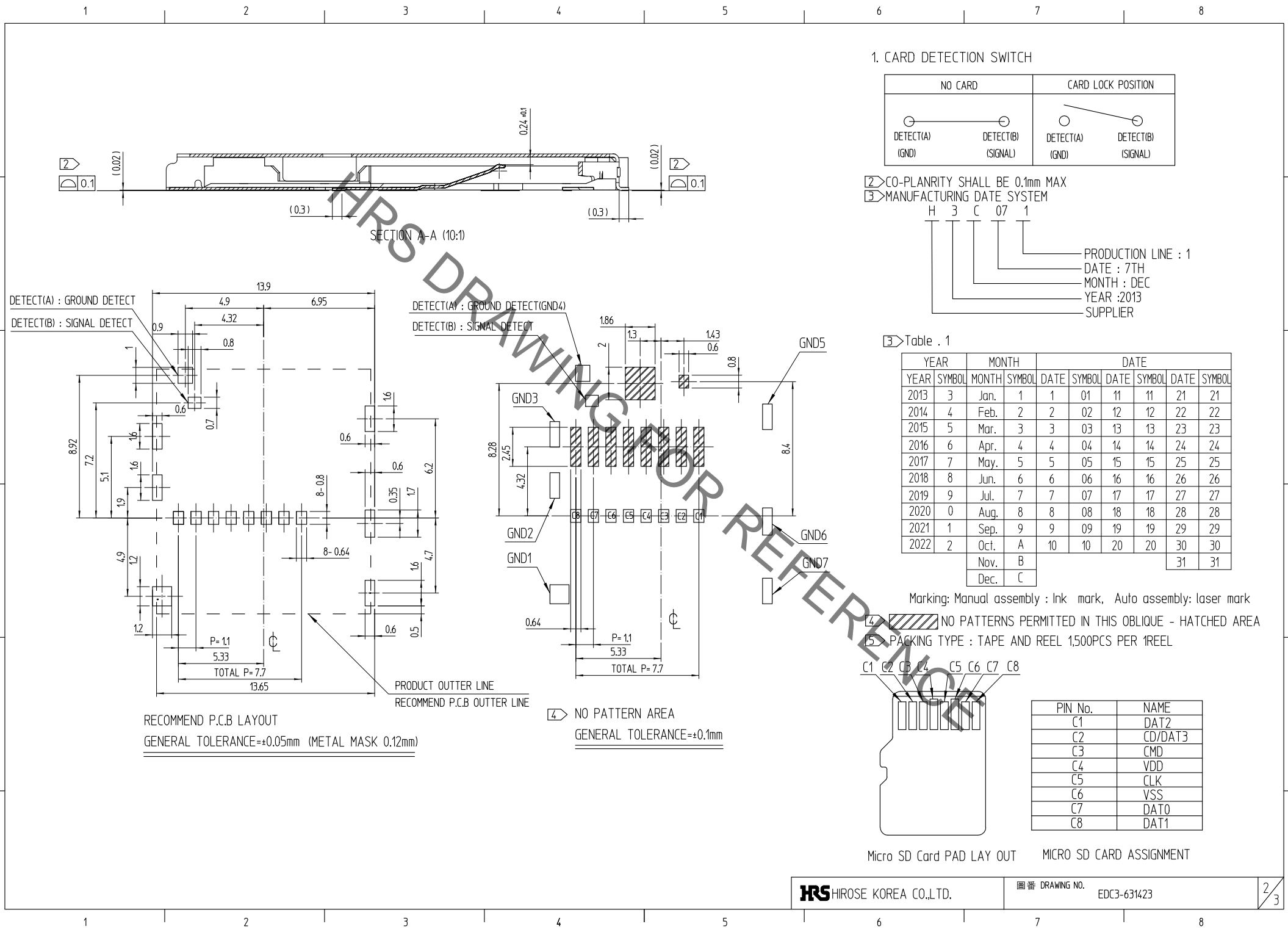
REFERENCE DRAWING

△數 COUNT	訂正事項 DISCUSSION OF REVISIONS	擔當 B Y	檢圖 CHKD	年月日 DATE	△數 COUNT	訂正事項 DISCUSSION OF REVISIONS	擔當 B Y	檢圖 CHKD	年月日 DATE
△	4	RE-5-2373	P.JH	A.B.H	20. 04. 24	△			
△									
△									

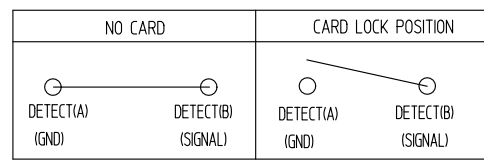


4	EJECTOR MOLD	LCP	BLAC UL94-V0	10	EJECTOR PLATE	STAINLESS STEEL		
3.5	COVER	STAINLESS STEEL	MOUNTING: NP + AuP	9	LOCK PIN	STAINLESS STEEL		
2	SH-CONTACT	COPPER ALLOY	CONTACT NP + Pd-NP + AuP MOUNTING: NP + AuP	8	PIN	STAINLESS STEEL		
1	Ins.Base	LCP	BLAC UL94-V0	7	SPRING	STAINLESS STEEL		
6	DETECT	COPPER ALLOY	MOUNTING: NP + AuP					
NO.	PART	MATERIAL	FINISH,REMARKS	NO.	PART	MATERIAL	FINISH,REMARKS	
CODE NO. (OLD)				DRAWN	DESIGNED	CHECKED	APPROVED	RELEASED
				W.H.LEE	W.H.LEE	B.H.AN	H.C.SONG	ENG 20.04.24 DEPT
				16.05.09	16.05.09	16.05.09	16.05.10	
DRAWING NO. EDC3-631423				PART NO. DM3NW-SF-PE J(800)				
SCALE 5:1				CODE NO. CL 6533-0019-800				
UNITS mm				HRS HIROSE KOREA CO.,LTD.				
							1/3	

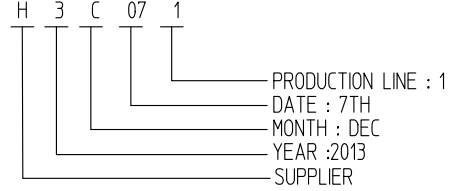
Jan. 1. 2022 Copyright 2022 HIROSE ELECTRIC CO., LTD. All Rights Reserved.
 use of consideration for using Automotive equipment / device which demand high reliability, kindly contact our sales window correspond



1. CARD DETECTION SWITCH



- 2 > CO-PLANRITY SHALL BE 0.1mm MAX
- 3 > MANUFACTURING DATE SYSTEM



3 > Table . 1

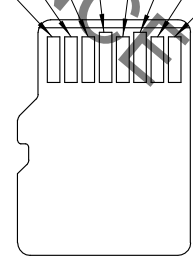
YEAR		MONTH		DATE					
YEAR	SYMBOL	MONTH	SYMBOL	DATE	SYMBOL	DATE	SYMBOL	DATE	SYMBOL
2013	3	Jan.	1	1	01	11	11	21	21
2014	4	Feb.	2	2	02	12	12	22	22
2015	5	Mar.	3	3	03	13	13	23	23
2016	6	Apr.	4	4	04	14	14	24	24
2017	7	May.	5	5	05	15	15	25	25
2018	8	Jun.	6	6	06	16	16	26	26
2019	9	Jul.	7	7	07	17	17	27	27
2020	0	Aug.	8	8	08	18	18	28	28
2021	1	Sep.	9	9	09	19	19	29	29
2022	2	Oct.	A	10	10	20	20	30	30
		Nov.	B					31	31
		Dec.	C						

Marking: Manual assembly : Ink mark, Auto assembly: laser mark

4 > NO PATTERNS PERMITTED IN THIS OBLIQUE - HATCHED AREA

5 > PACKING TYPE : TAPE AND REEL 1,500PCS PER 1REEL

C1 C2 C3 C4 C5 C6 C7 C8



PIN No.	NAME
C1	DAT2
C2	CD/DAT3
C3	CMD
C4	VDD
C5	CLK
C6	VSS
C7	DAT0
C8	DAT1

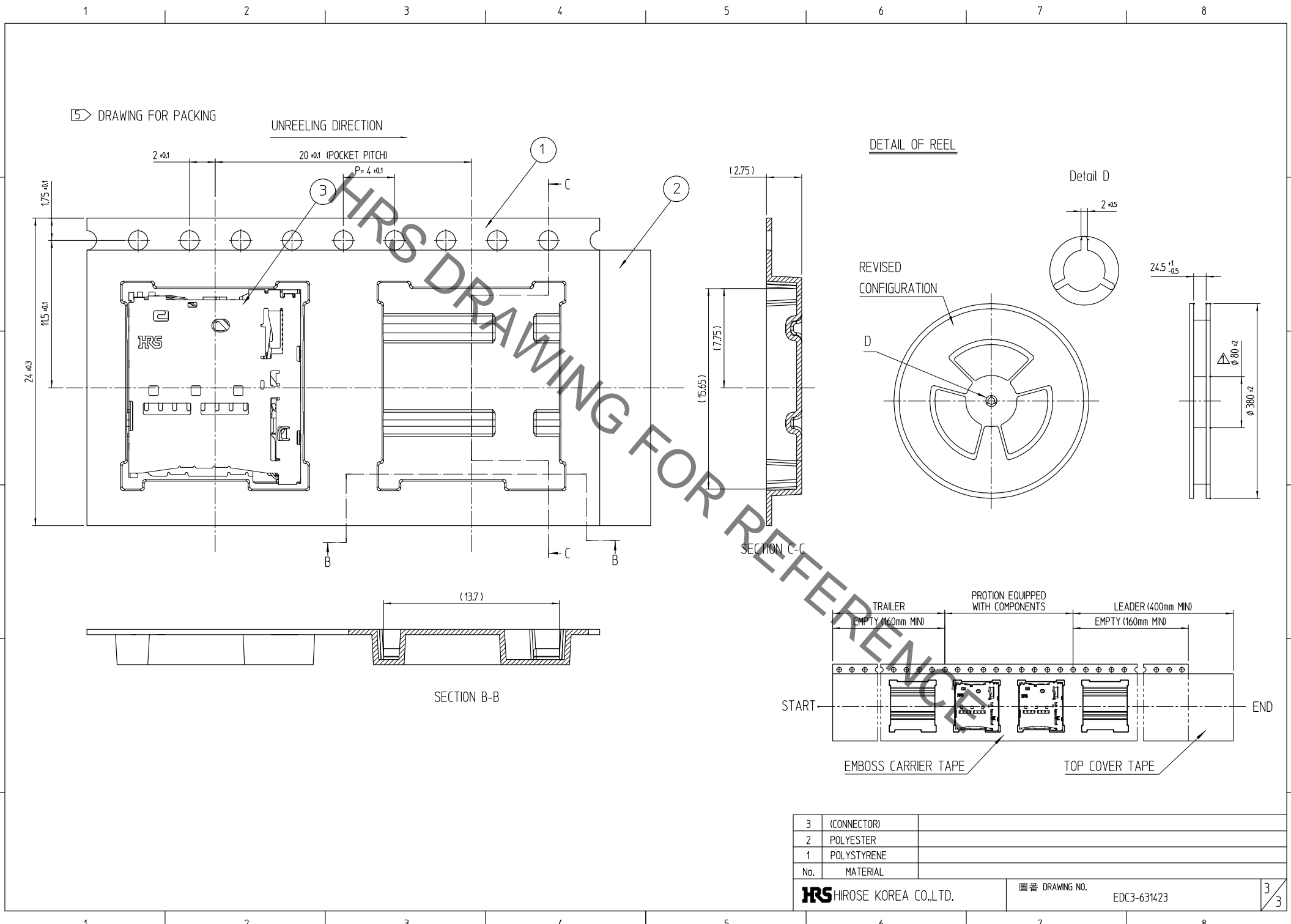
Micro SD Card PAD LAY OUT

MICRO SD CARD ASSIGNMENT

RECOMMEND P.C.B LAYOUT
 GENERAL TOLERANCE=±0.05mm (METAL MASK 0.12mm)

4 > NO PATTERN AREA
 GENERAL TOLERANCE=±0.1mm

Jan. 1. 2022 Copyright 2022 HIROSE ELECTRIC CO., LTD. All Rights Reserved. Use of consideration for using Automotive equipment / device which demand high reliability, kindly contact our sales window correspond



3	(CONNECTOR)	
2	POLYESTER	
1	POLYSTYRENE	
No.	MATERIAL	
HRS HIROSE KOREA CO.,LTD.		图番 DRAWING NO. EDC3-631423
		3/3

Mouser Electronics

Authorized Distributor

Click to View Pricing, Inventory, Delivery & Lifecycle Information:

[Hirose Electric:](#)

[DM3NW-SF-PEJ\(800\)](#)